

# TeamBoard Total Wallmount

**TEAM  
BOARD**

**easy**<sup>TM</sup>  
does it.

## TeamBoard Total Wallmount

TMTWST  
Total Wallmount only,  
ST Model

TMTWSTXL46  
Total Wallmount ST with  
XL46 projector bundled

TM-EMUT  
Total Wallmount only,  
UST Model

TM-EMUTXL50  
Total Wallmount UST with  
XL50a projector bundled

Also available:

TeamBoard Total Mobile

TeamBoard Mobile Stand

TeamBoard  
Fixed Wallmount

TMTWSTXL46  
Total Wallmount ST with XL46 projector



TMWM6250 EM  
EganMetallic Frame

## TeamBoard is adjustable

TeamBoard Total Wallmount™ brings the interactivity of TeamBoard RT to multiple heights at the push of a button. TeamBoard Total Wallmount's innovative design allows you to integrate your TeamBoard and projector into one wall mount unit that offers a full 18" of vertical height adjustment, maintaining the projector-to-board calibration. No tools or technical expertise required to adjust the height – just press a button to raise or lower your TeamBoard—Easy does it!

TeamBoard Total Wallmount works well with both TeamBoard RT 77" 4:3 and the widescreen TeamBoard RT 85" 16:10 models.

## Improved accessibility

TeamBoard Total Wallmount offers the presenter a full 18" (45cm) of height adjustment through just the touch of a finger. It adjusts quickly and smoothly to any height within its range. With finger touch operation and a low and uniform noise level, the presenter can adjust the height without disrupting the flow of the interactive presentation, so you can adjust on-the-fly. This improves full accessibility to TeamBoard for presenters of all stature, and it's A.D.A. compliant too.

## Improved projector performance and integration

When securely installed on the wall, TeamBoard Total Wallmount™ integrates the projector with TeamBoard for simple installation and use. As you adjust the height of your TeamBoard, the projector stays calibrated at all times. At the lowest position, projector settings may be easily reached. Sanyo XL46 Short Throw projector installs in a keystone-neutral position for optimum focus clarity and the presenter's presence in the beam is minimised. No more hassle with overhead ceiling mounts and in-ceiling cables. No more hassle with loose desktop projectors and cables running across the floor. Everything is integrated and adjustable. out of the projector beam as much as possible.

<sup>1</sup> Projectors not included. TeamBoard Total Wallmount is designed for use with Sanyo UST projectors XL50 and XL51, or with Sanyo ST projector XL46 only. Please specify when ordering; ST projectors do not work with the UST arm, and the UST projector does not work well with the ST arm. Other ST mounts may be available, please inquire.



TMWM6250CL  
Charcoal Frame

## Features

## Benefits

<p>✓ <b>Height Adjustable</b></p>	<ul style="list-style-type: none"> <li>&gt; 18" (45cm) of vertical travel to accommodate presenters of all heights</li> <li>&gt; Mounting plate can be installed at a height of your choice, so the upper and lower limits of the 18" range are at the heights you choose</li> <li>&gt; At lower heights your TeamBoard is more accessible for those in early grades, or in wheelchairs. ADA compliant</li> </ul>
<p>✓ <b>Push-button Control</b></p>	<ul style="list-style-type: none"> <li>&gt; Finger-touch electronic height adjustment</li> <li>&gt; It's infinitely adjustable – choose any height within the range without compromise</li> </ul>
<p>✓ <b>Quiet Operation</b></p>	<ul style="list-style-type: none"> <li>&gt; Low and uniform noise level means zero-interruption height adjustment</li> <li>&gt; Easy to maintain normal speaking voice while adjusting height</li> </ul>
<p>✓ <b>Integrated Installation</b></p>	<ul style="list-style-type: none"> <li>&gt; Your TeamBoard and projector are integrated into Total Wallmount for one Easy does it installation, eliminating the need for projector installation and through-the-wall wiring</li> </ul>
<p>✓ <b>Integrated Projector Arm</b></p>	<ul style="list-style-type: none"> <li>&gt; Projector arm travels with the height adjustment of the interactive whiteboard, so it stays calibrated, without technical assistance</li> <li>&gt; Ceiling projector location minimizes presenter's blocking of the projector beam path, reducing shadows and increasing presenter comfort</li> <li>&gt; Improves accessibility to the projector—bringing it within reach when it's necessary to engage projector buttons and adjustments</li> </ul>
<p>✓ <b>Modular Projector Arm</b></p>	<ul style="list-style-type: none"> <li>&gt; The projector arm can be changed for a different projector mount (as available and sold separately)</li> </ul>

**easy**<sup>™</sup>  
does it.

- Easy to use
- Finger-touch height adjustment
- 'Whisper' quiet operation



## Design Intent

TeamBoard Total Wallmount integrates the installation of your TeamBoard and projector (sold separately or bundled) for a clean installation and height adjustment that is simple to operate—a simple touch of the finger and choose the height you want, everything stays calibrated—Easy does it!



## Operating Specifications

<b>Functionalities</b>	Height Adjustable Stable TeamBoard installation Secure projector integration
<b>Certifications &amp; Compliances</b>	A.D.A. compliant The management systems governing the design and manufacture of this product are ISO9001:2008 and ISO14001:2004 certified
<b>Projector Compatibility</b>	Sanyo Short-Throw (ST) projector, i.e. Sanyo XL46 Sanyo Ultra-Short Throw (UST) projector, i.e. Sanyo XL50a, XL51 Ships compatible with one of the above, please specify Compatible with other ST projectors as available, please inquire
<b>Power Requirements</b>	110V or 230V – please specify your country
<b>Warranty</b>	1-year mechanical/electrical limited warranty
<b>Construction</b>	Laser-cut and machined steel Powder-coated finish has a great appearance and is easy-to-clean as required.
<b>Color</b>	EganMetallic

## Dimensional Details

<b>Overall width</b>	24 <sup>1/8"</sup> (613mm) ST & UST	
<b>Overall height of unit</b>	65 <sup>1/2"</sup> (1664mm) ST & UST	
<b>Overall depth</b>	54 <sup>5/8"</sup> (1387mm) ST & 26 <sup>1/8"</sup> (664mm) UST	
<b>Net Weight</b>	ST model, without projector	90 lbs.
	UST model, without projector	85 lbs.
<b>Operating Environment</b>	41° F to 104°F (+5°C to +40°C)	

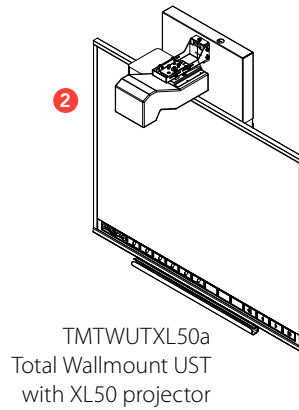
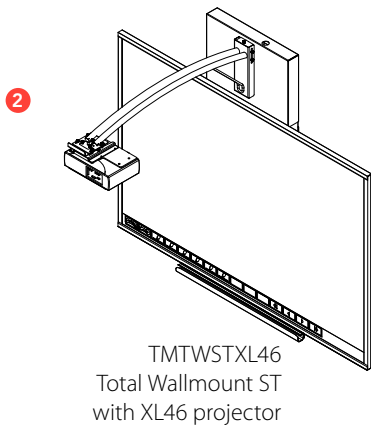
## Shipping

<b>ST Model</b>	<b>Dimensions</b>	25 <sup>1/8"</sup> w (638mm) x 67 <sup>1/2"</sup> H (1715mm) x 10 <sup>1/4"</sup> D (260mm)
	<b>Gross Shipping Weight</b>	120 lbs.
<b>UST Model</b>	<b>Dimensions</b>	25 <sup>1/8"</sup> w (638mm) x 67 <sup>1/2"</sup> H (1715mm) x 10 <sup>1/4"</sup> D (260mm)
	<b>Gross Shipping Weight</b>	115 lbs.

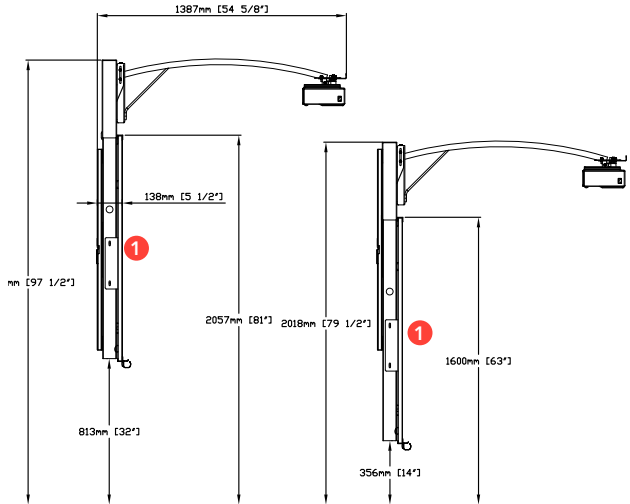
### No Hassle

If you have any problems, pick up the phone and let us know. We expect, and need, our customers to be delighted with our products and services.





- 1 Finger-touch height adjustment with 18" (45cm) range means improved accessibility of both the board and the projector
- 2 Integrated projector means optimal focus, less shadowing, reduced glare, and projector-board calibration is maintained when adjusting height
- 3 Low noise operation means adjustment of the height without interruption to the flow of the presentation



## What's in the box...

**TeamBoard Total Wallmount XL46 Bundle** ships with:

- TeamBoard Total Wallmount TMTWEMST
- Sanyo XL46 Short Throw Projector
- TeamBoard not included—see TeamBoard RT 77" 4:3 or TeamBoard RT 85" 16:10

**TeamBoard Total Wallmount XL50a Bundle** ships with:

- TeamBoard Total Wallmount TMTWEMUT
- Sanyo XL50a Short Throw Projector
- TeamBoard not included—see TeamBoard RT 77" 4:3

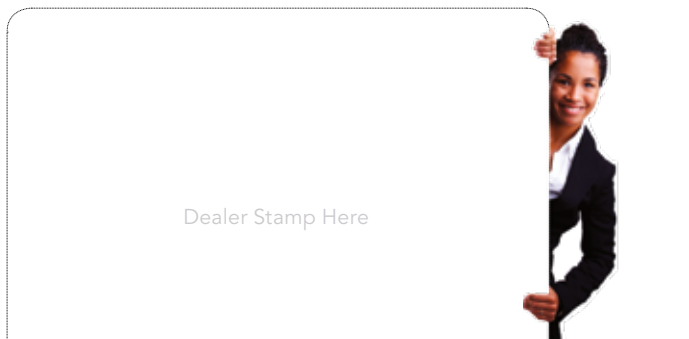
**Note:** does not work with TeamBoard RT 85" 16:10 without retrofitted arm

## General Specifications

**Package size:** 27"w x 68 1/2"h x 10 1/4"D  
(686mm x 1740mm x 260mm)

**Product weight:** 90lbs (41kg)  
(Projector arm 10 lbs  
+ main assembly 72 lbs  
+ brackets & hardware 8lbs)

**Package weight:** 120lbs (54kg)



Designed and manufactured in North America by **Egan TeamBoard**, leaders in the Interactive Whiteboard marketplace for 15 years. TeamBoard is part of the Egan Visual family, designers and manufacturers of visual communication products for over 40 years. You can count on TeamBoard products to be well-designed and well-built for years of hassle-free enjoyment.

**Environmentally responsible design, quality, cost and timeliness.** Egan TeamBoard has been certified by UL™ to have established, documented, implemented and maintain a Quality Management System as well as an Environmental Management System, and is registered to the ISO 9001:2008 and ISO 14001:2004 standards.



**Egan TeamBoard, Inc.**  
International

Tel +1-905-851-2826  
Fax +1-905-851-3426

www.egan.com  
www.teamboard.com

**Egan TeamBoard, Inc.**  
US Eastern / Central States & Canada

Tel +1-905-851-2826 1-800-263-2387  
Fax 1-888-609-8886

sales@teamboard.com

**Egan TeamBoard, Inc.**  
US Mountain and Western States

Tel +1-323-720-1336 1-800-826-1778  
Fax 1-800-726-1314

support@teamboard.com

