



TEAM  
BOARD

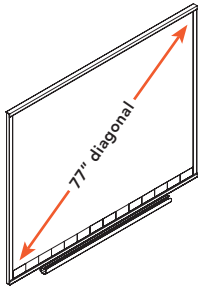
- New TeamBoard Models
- Bluetooth Wireless Tablet
  - Freight Policy Update

PRICE AND SPECIFICATION GUIDE

**NOVEMBER 2006** 

## TeamBoard Wall Mount & Track Mount

TEAMBOARD SHIPS WITH USB CONNECTION, UNLESS SPECIFIED DIFFERENTLY



Code (+WS, WU or MC)	Description	Price
<b>TMWM6250CL</b>	62" w x 50" h, Charcoal Frame	Call
<b>TMWM5442CL</b>	54" w x 42" h, Charcoal Frame	Call
<b>TMWM6250EM<sup>1</sup></b>	62" w x 50" h, EganMetallic Frame Finish	Call
<b>TMWM5442EM</b>	54" w x 42" h, EganMetallic Frame Finish	Call

Wall Mount and Track Mount TeamBoard models are EganSystem Track Mount compatible, and ship with appropriate mounting bracket. See 'Every TeamBoard Includes' below for more details.

<sup>1</sup> **Please note:** 'Instant Ship, In Stock' availability on USB models only (TMWM6048EM-WU, USB TeamBoard for Windows with connectivity kit).

For alternative TeamBoard connectivity codes & software options, refer to 'TeamBoard Connectivity' at the bottom of page 3.

Product codes and prices identified in red are available on the Instant Ship Program. See page 6 for details.

## TeamBoard RM Easiteach® Studio

AVAILABLE FOR RECOGNIZED EDUCATIONAL INSTITUTIONS ONLY – SEE DETAILS BELOW

TEAMBOARD SHIPS WITH USB CONNECTION, UNLESS SPECIFIED DIFFERENTLY



Code (+WS, WU or MC)	Description	Price
<b>TMEZ6250CL<sup>2</sup></b>	Includes RM Easiteach Studio and TeamBoard 62" w x 50" h	Call
<b>TMEZ5442CL<sup>2</sup></b>	Includes RM Easiteach Studio and TeamBoard 54" w x 42" h	Call

<sup>2</sup> These TeamBoard models are EganSystem Track Mount compatible, and ship with an appropriate mounting bracket. See 'Every TeamBoard Includes' below for more details.

The TeamBoard RM Easiteach Studio Bundle features a software program that enhances interactive whiteboard use in the classroom. RM Easiteach Studio software (for Windows only) combines with TeamBoard to make lessons exciting, fun to share, and easy to reuse. Suitable for use across the entire curriculum, Easiteach Studio and optional 'plug-in' content packs provide tools and content for specific subject and topic areas.

For alternative TeamBoard connectivity codes & software options, refer to 'TeamBoard Connectivity' at the bottom of page 3.

Product codes and prices identified in red are available on the Instant Ship Program. See page 6 for details.

## TeamBoard Bluetooth Wireless Tablet

Code	Description	Price
<b>TMA-TABLET</b>	Includes Bluetooth™ wireless tablet 6" w x 4.5" h	Call

TeamBoard's Bluetooth™ wireless tablet connects to your computer via USB and is compatible for Windows™ only.

The tablet includes TeamBoard Draw SA, a cordless pressure-sensitive pen, 4 rechargeable batteries, and North American battery charger.



## Every TeamBoard Includes

Each TeamBoard ships complete with controller(s), TeamBoard Suite software for specified operating system (Windows® or Macintosh®, see bottom of page 3), Quick Start Guides, pen tray (except Cabinet models where pen tray is built-in), six markers, stylus, EganCloth™ and mounting bracket, and all necessary adapters and cables (USB connection unless specified differently, see page 3).

See page 4 to find out more about the Custom Color options available for TeamBoard frames and cabinets.

# TEAMBOARD SUGGESTED SELL PRICES

## TeamBoard's Unique Features:

- TeamBoard's exclusive guaranteed-to-clean, low-glare EVS™ Presentation surface is excellent for use with both dry-erase markers and data projectors.
- TeamBoard comes with a detachable controller that slides on and off easily, for simple upgrade replacement.
- There is no specialized equipment, i.e. special pens or gadgets. Most TeamBoard accessories are standard office supplies.
- TeamBoard has no battery-operated parts.
- A single standard network cable connects the Serial or USB TeamBoard to a computer – wiring can be easily hidden in the wall or ceiling.
- All components come with an exceptional 5-year warranty, including the writing surface. (See Terms & Conditions, page 6, for details.)

## TeamBoard Cabinets

TEAMBOARD SHIPS WITH USB CONNECTION, UNLESS SPECIFIED DIFFERENTLY

Code (+WS, WU or MC)	Description	Price
TMBW62	62" w x 50" h, Bullnose Wood <sup>3</sup>	Call
TMBW54	54" w x 42" h, Bullnose Wood <sup>3</sup>	Call
TMBX62	62" w x 50" h, Bullnose Etex-Standard <sup>4</sup>	Call
TMBX54	54" w x 42" h, Bullnose Etex-Standard <sup>4</sup>	Call
<b>Options: F</b>	2nd Flipchart	Call
<b>L</b>	Lock	Call

<sup>3</sup> TeamBoard Wood Cabinet Veneer Finish Options – Prices shown are for the following veneer selections: Black Oak (BO), Dark Oak (DO), Medium Oak (MO), Light Oak (LO), Maple (MP), Mahogany (MA), Walnut (WA), and Cherry (CH).

<sup>4</sup> TeamBoard Etex Cabinet Finish Options – Prices shown are for the following Etex polymer surfacing selections: EganMetallic (EM), Taupe (TA), Putty (PY), Platinum (PT), Sand (SN), Gray (GR), Slate (SL), Charcoal (CL) and Black (BL).

TeamBoard cabinets include two tackable fabric panels, a flipchart/tearbar to suspend from either door, and a built-in pen tray. (See 'Every TeamBoard Includes' at the bottom of page 2 for more details.)

For alternative TeamBoard connectivity codes & software options, refer to 'TeamBoard Connectivity' at the bottom of page 3.

## TeamBoard Mobile Stands & Accessories (Board sold separately)

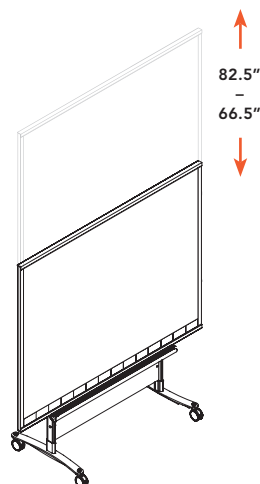
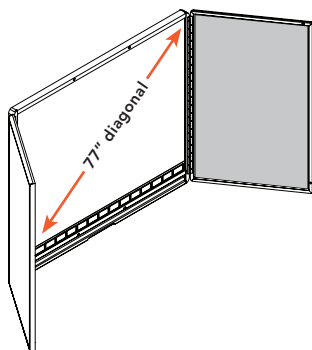
Code	Description	Price
TMMB6250CL	Mobile Stand for 62" w x 50" h & 54" w x 42" h TeamBoard	Call

TeamBoard Mobile Stand Finish – Anodized aluminum uprights, Charcoal base and MDF support piece.

The TeamBoard Mobile Stand has a 6 position adjustable height. The top of the TeamBoard ranges from 66-1/2" to 82-1/2" high at 3-1/4" intervals. The stand features 4 'lock-solid' casters locking both caster pivot and wheel rotation actions for greater stability.

## TeamBoard Connectivity

Suffix Code	Description
-WS	<b>Serial TeamBoard for Windows</b> Includes: TeamBoard software for Windows, Quick Start Guide, serial controller, RJ45 cable, serial adapter, power adapter and power cord.
-WU	<b>USB TeamBoard for Windows</b> Includes: TeamBoard software for Windows, Quick Start Guide, USB controller, RJ45 cable and USB Adapter.
-MC	<b>USB TeamBoard for Macintosh OS-X</b> Includes: TeamBoard software for Macintosh OS X, Quick Start Guide, USB controller, RJ45 cable and USB Adapter.

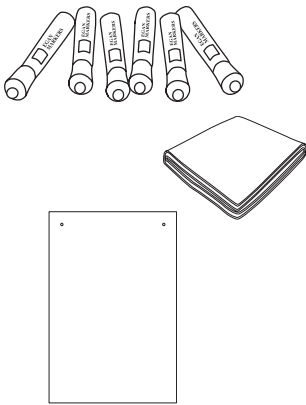


## Hardware Conversion Kits



Code	Description	Price
TMC-SER	Serial Kit for Windows includes: TeamBoard software, Quick Start, Serial Controller, RJ45 cable, serial adapter, power adapter, and power cord.	Call
TMC-USB	USB Kit for Windows includes: TeamBoard software, Quick Start, USB Controller, RJ45 cable and USB Adapter.	Call
TMC-MAC	USB Kit for Macintosh OS-X includes: TeamBoard software, Quick Start, USB Controller, RJ45 cable and USB Adapter.	Call
TMA-WIRELESS	Wireless Kit	Call

## TeamBoard Supplies



Code	Description	Price
<b>ACDZTB</b>	TeamBoard Markers: package of 12, two of each color. <b>OR</b> choose a package containing 12 of one color. <b>Marker colors:</b> (please specify color choice) Red ( <b>ACDZRD</b> ), Green ( <b>ACDZGR</b> ), Brown ( <b>ACDZBR</b> ), Black ( <b>ACDZBL</b> ), Purple ( <b>ACDZPURPLE</b> ), Blue ( <b>ACDZBLUE</b> ), Assorted ( <b>ACDZ</b> )	Call
<b>EVEC12</b>	EganCloth 12-pack: (16" x 12") x 12	Call
<b>EVEC24</b>	EganCloth 24-pack: (16" x 12") x 24	Call
<b>ACDZSTYLUS</b>	TeamBoard Stylus: package of 12	Call
<b>ACFL20305</b>	Flipchart Pads for TeamBoard Cabinets: 50 sheets per pad, 5 pads per box	Call

For supplies shipped with each TeamBoard, see "Every TeamBoard Includes" at the bottom of page 2.  
Product codes and prices identified in red are available on the Instant Ship Program. See page 6 for details.

## Color Plus Upcharge



Code	Description	Price
<b>Custom Color</b>	For Etex Cabinets, TeamBoard Frames	Call
<b>Custom Stains</b>	For Wood Veneer Cabinets, contact Customer Service for sample direction	Call

Custom Color polymer finish may be specified for Etex Cabinets and TeamBoard frames. For Custom Color select the finish number and color from the current selection of Wilsonart® solid color, matte-finish laminates (no pattern or high-gloss). TeamBoard will match the laminate color selected as closely as the formulating process allows.

For a chain of Wilsonart samples call 1-800-433-3222.

# TEAMBOARD SPECIFICATIONS

## TeamBoard Configurations

62x50 Models	U.S. Dimensions (Diagonal Measure)	Metric Dimensions (Diagonal Measure)
<b>Wall Mount</b>	62-5/8" w x 49-1/2" h x 1-3/8" d (77" diagonal)	159cm x 125.7cm x 3.5cm (195.6cm diagonal)
<b>Track Mount</b>	62-5/8" w x 49-1/2" h x 1-3/8" d (77" diagonal)	159cm x 125.7cm x 3.5cm (195.6cm diagonal)
<b>Cabinets</b>	63-3/4" w x 53-5/8" h x 3-9/16" d (77" diagonal)	161.9cm x 136.2cm x 9cm (195.6cm diagonal)
<b>Mobile Stand</b>	41-3/4" w x 59-1/2" h x 24" d	104.9cm x 150cm x 61cm
54x42 Models	U.S. Dimensions (Diagonal Measure)	Metric Dimensions (Diagonal Measure)
<b>Wall Mount</b>	54-1/2" w x 43-3/8" h x 1-3/8" d (66" diagonal)	138.4cm x 110.2cm x 3.5cm (167.64cm diagonal)
<b>Track Mount</b>	54-1/2" w x 43-3/8" h x 1-3/8" d (66" diagonal)	138.4cm x 110.2cm x 3.5cm (167.64cm diagonal)
<b>Cabinets</b>	55-5/8" w x 47-5/8" h x 3-9/16" d (66" diagonal)	141.3cm x 121cm x 9cm (167.64cm diagonal)
<b>Mobile</b>	41-3/4" w x 59-1/2" h x 24" d	104.9cm x 150cm x 61cm

## PC Recommendations

### UPDATED FOR TEAMBOARD SUITE 4.21

<b>Operating System:</b>	Windows® 98™	Windows® 2000™	Windows® XP™	Macintosh® OS X 10.4*
<b>RAM:</b>	256MB	256MB	256MB	256MB
<b>Hard Drive Space:</b>	90MB	90MB	90MB	90MB
<b>CPU:</b>	500Mhz or better	500Mhz or better	500Mhz or better	G3 @ 500Mhz or better
<b>CD-ROM Drive:</b>	Required	Required	Required	Required

## Connectivity Requirements

Windows – Serial	COM Port (9-Pin)
Windows – USB	USB Port
Macintosh – USB	USB Port

## Power Supply (for Serial Controllers only)

Input Voltage	100 – 240 Vac
Input Frequency	47 – 63Hz 0.4A
Output Voltage	9 Vdc
Output Current	200 mA

\* Macintosh software currently available for TeamBoard Suite 4.1

## Published Price List

US orders are F.O.B. Buffalo, NY (14150-0888) and Commerce, CA (90040-3031). Freight is prepaid and allows for normal ground transportation within the 48 contiguous states.

## Freight Policy

TeamBoard's commitment to no hassle "Freight Included Pricing" has had great success. Recent transportation cost increases have altered our freight program to require a minimum of four (4) TeamBoard interactive whiteboards (including cabinet models) on one order, for one shipment. Orders of three (3) models or less will be subject to a surcharge of Call.00 list for each board. Orders of four (4) or more, as defined above, will ship freight included.

Air freight, accessorial charges I.E. delivered to limited access sites (mines, prisons, military, schools, hospitals), inside deliveries, blanket wrapped, construction site delivery, residential delivery, will calls and special delivery beyond dock-to-dock delivery, will be quoted and invoiced. Egan TeamBoard Inc.'s responsibility ceases when it turns the shipment over to the carrier, see 'Shipment Claims'.

## Orders

Orders are binding upon Egan TeamBoard Inc. only upon acceptance by the executive office of Egan TeamBoard Inc. Orders accepted by Egan TeamBoard Inc. shall be subject to the Terms and Conditions set forth in its Acknowledgment and Invoice, notwithstanding any variance in terms and conditions set forth in the buyer's order forms. Orders are subject to limit or withdrawal of credit at any time.

Minimum order value Call.00 list.

## Terms

The approved purchaser will be invoiced for the goods as they are shipped and payment is due thirty (30) days from the date of invoice. Late penalties will be charged on overdue invoices. Orders are payable in US funds and do not include taxes or installation. All orders accepted are subject to prices prevailing at time of shipment.

## Specification Changes

The right to affect, change, or discontinue models at any time without prior notice remains the right of Egan TeamBoard Inc. This right to change applies to catalog contents, price lists, fabric or finishes as well as details and dimensions.

## Change Orders

Our order acknowledgment is final and binding and any subsequent change is subject to our ability to secure materials and labor. We reserve the right to increase our acknowledged price if such a change warrants any extra charge.

## Packing and Crating Charges

All products are shipped via common carrier, and are normally shipped one unit per cardboard container. Packaging charges are included in our list prices.

## Cancellations

The cancellation of orders before production has begun is governed by our ability to conform, and a service fee may be imposed at our discretion. Once production has begun neither standard or custom orders are subject to change or cancellation.

## Returns

Merchandise may not be returned without our prior written consent. If returned within 30 days and by agreement, a restocking and repacking charge will be deducted from the credit note in addition to any expense for reconditioning that may be necessary. Return transportation must be prepaid, packed in the original cartoning.

## Shipping

Egan TeamBoard Inc. reserves the right to ship by what is in our opinion the best method. Egan TeamBoard Inc. is not responsible for delay, failure to deliver due to strikes lockouts, fires, floods, storms, acts of God or other causes beyond our control.

## Shipment Claims

Damage claims must be filed with the carrier by the buyer. The legal responsibility of Egan TeamBoard Inc. ceases when the shipment is turned over to a common carrier. The buyer has the sole obligation of seeking recourse against the carrier. Inspect shipment thoroughly prior to signing the bill of lading. Keep packaging materials for inspection by the carrier in the event of a damage claim. Claims must be filed within 14 days of receipt of shipment.

## Storage

Orders will ship in accordance with our acknowledged shipping dates. If customers cannot accept delivery on this date, Egan TeamBoard Inc. reserves the right to arrange storage at the customer's risk and expense and to invoice the merchandise when it is placed in storage.

## Defects and Shortages

All claims must be reported in the first thirty (30) days after delivery of goods. Egan TeamBoard Inc. assumes no responsibility for misuse or abuse.

## Warranty

Egan TeamBoard Inc. warrants the construction and components of its products for normal and reasonable use for a period of five years from the date of manufacture. The TeamBoard is backed by quality construction, including a honeycomb core lamination, a superior matte-white low-glare drawing/projection surface, and a high-resolution controller tested and proven in industrial environments.

## Egan Visual Surface™ (EVS™ Presentation) Warranty

Egan Visual Surface is guaranteed by Egan TeamBoard Inc. to be an effective projection surface for the life of the product.

Egan TeamBoard Inc. offers a 5-year limited warranty, from the date of manufacture, on the EVS™ surface, provided proper care has been maintained. EVS is a matte-white surface, suitable for projection, and is backed by quality construction, including a honeycomb core lamination. The use of harsh cleaners, permanent markers, paint, low quality dry-erase markers, low-odor dry-erase markers, damage from sharp objects, and other abuse, may damage the surface and may void any warranty. Use EganMarkers and the EganCloth® only. Other markers and erasers can leave residue and ghosting.

This warranty does not apply to defects resulting from negligence, damage from sharp objects, lack of proper care and maintenance or storage in extreme environments. All decisions of workmanship, failure, misuse and abuse remain with the manufacturer. Items may only be returned with prepaid shipping, and with the written prior consent of

## Egan TeamBoard Inc.

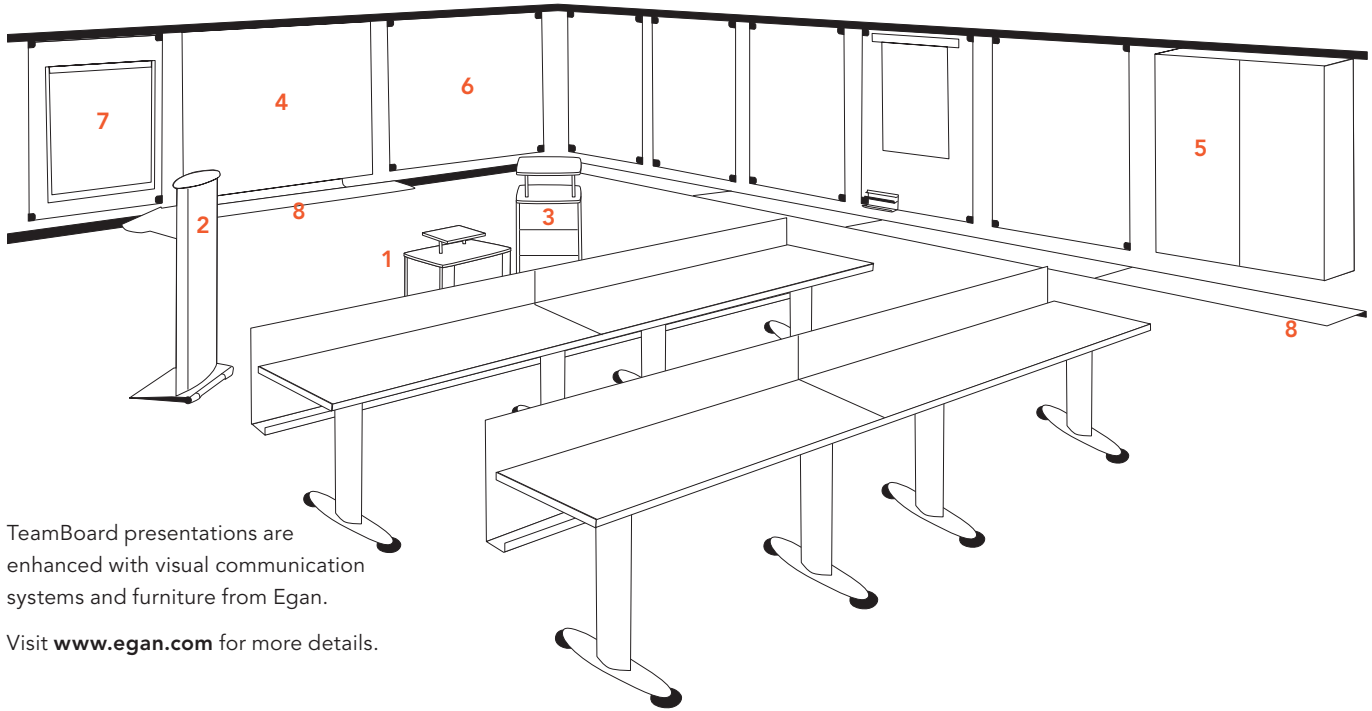
No warranties other than those contained herein shall be applied.



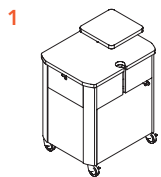
## Instant Ship In Stock Program

All products identified in **red** are available from the Instant Ship Program. Products are available from stock for immediate shipment. No upcharge. Quantities of five or greater are subject to availability.

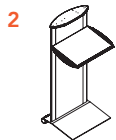
Please call for confirmation.



TeamBoard presentations are enhanced with visual communication systems and furniture from Egan.  
 Visit [www.egan.com](http://www.egan.com) for more details.



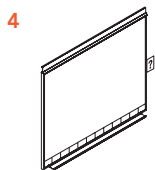
**1 Data Projector Carts**



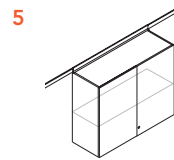
**2 Lecterns**



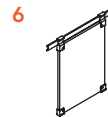
**3 Modular Storage Cabinets**



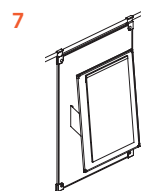
**4 Track Mount TeamBoard**



**5 EganSystem Office Storage Cabinets**  
 State of California approved (OSHPD)



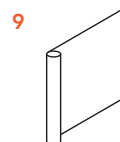
**6 EganSystem 202 Markerboards and Tackboards**



**7 EganSystem 202 Markerboard/Flipchart**



**8 EganSystem Reference Shelf**



**9 EganWall Presentation Wallcovering (not shown)**  
 A NeoCon Gold Award winning presentation surface available in 54" high rolls.

## TEAMBOARD SERVICE

1. TeamBoard Customer Service is as close as: **1-800-263-2387**  
International: +1-905-851-2826  
**www.teamboard.com support@teamboard.com**
2. Key elements are available and easily replaceable on location.
3. Software enhancements can be downloaded from **www.teamboard.com**.
4. Please have your serial number handy!

For more information or product literature, contact us at the following numbers:

International:

FAX **905-851-3426** [sales@teamboard.com](mailto:sales@teamboard.com)

TEL **905-851-2826**

US Eastern and Central States and Canada:

FAX **1-888-609-8886** [sales@teamboard.com](mailto:sales@teamboard.com)

TEL **1-800-263-2387** OR **905-851-2826**

US Mountain and Western States:

FAX **1-800-726-1314** [sales@teamboard.com](mailto:sales@teamboard.com)

TEL **1-800-826-1778** OR **323-720-1336**



Egan TeamBoard, Inc.  
International

Tel 905-851-2826  
Fax 905-851-3426

Egan TeamBoard, Inc.  
US Eastern / Central States & Canada

Tel 905-851-2826 1-800-263-2387  
Fax 1-888-609-8886

Egan TeamBoard, Inc.  
US Mountain and Western States

Tel 323-720-1336 1-800-826-1778  
Fax 1-800-726-1314

[sales@teamboard.com](mailto:sales@teamboard.com)  
[www.teamboard.com](http://www.teamboard.com)