

TOP VIEW

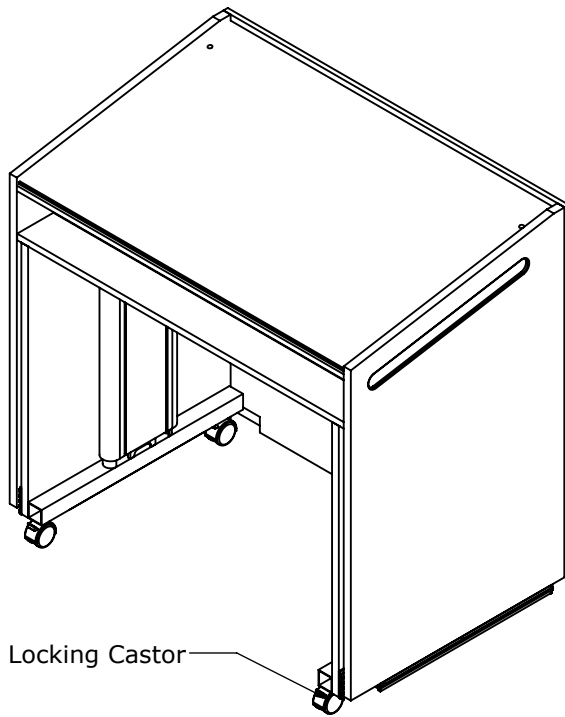
SECTION A-A

PRODUCT

LCLH

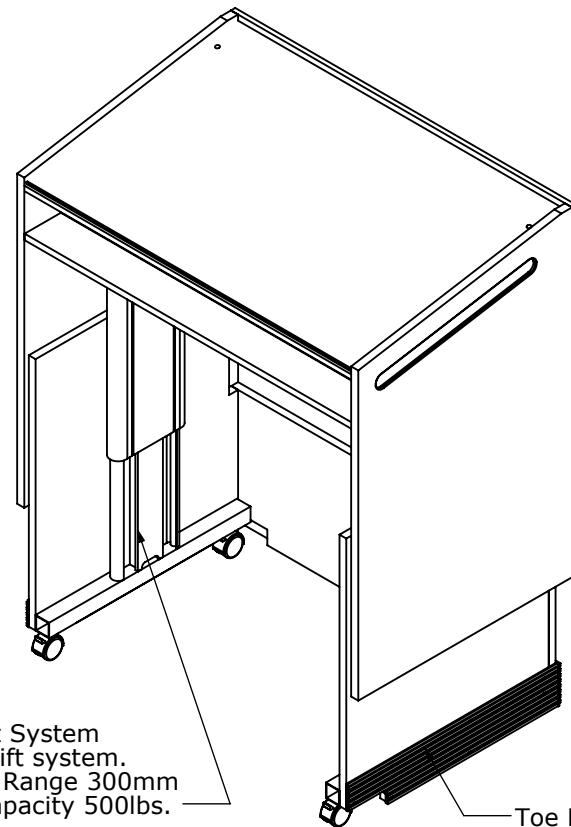
20/06/2006

Down Position



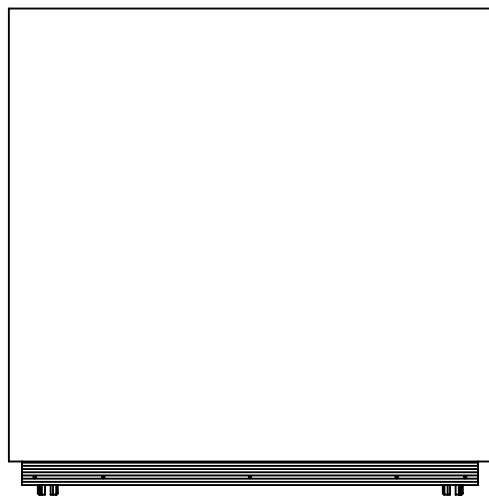
2" Locking Castor

Up Position



Movotec Lift System
2 Cylinder Lift system.
Adjustment Range 300mm
Max.load Capacity 500lbs.

Toe Kick



PRODUCT

LCLH

20/06/2006