

INCLUDED HARDWARE:

1 Mounting Bracket



4 Securing Screws



TOOLS REQUIRED:

- Tape Measure
- Level
- Electric Drill
- Phillips Screwdriver
- Appropriate Drill Bit for Hardware

Installer to provide fastening hardware best suited to wall type and to support the cabinet. Hollow wall toggle bolts illustrated.

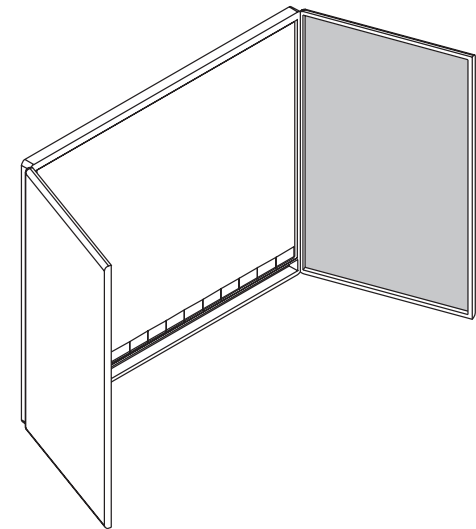
5-YEAR LIMITED WARRANTY

TeamBoard warrants the construction and components of its products for normal and reasonable use for a period of five years. The TeamBoard is backed by quality construction, including a honeycomb core lamination, a patented tension-control system, a patented low-glare drawing surface, and a high-resolution controller tested and proven in industrial environments.

The TeamBoard writing surface has a 5-year limited warranty, provided that proper care and maintenance have been performed. It is the nature of the writing surface while using dry-erase markers and the TeamBoard stylus that a white-on-white effect is created. This should be expected, and does not impede the function of the device in any way. Harsh cleaners, permanent markers, paint, low quality dry-erase markers, and other abuse may damage the surface and void any warranty.

This warranty does not apply to defects resulting from negligence, lack of proper care and maintenance. All decisions of workmanship, failure, misuse, and abuse remain with the manufacturer. Items may only be returned with prepaid shipping, and with TeamBoard Inc.'s prior written consent.

No warranties other than those contained herein shall be applied.



Reference #024H241 4/03:500 ©2003 Egan TeamBoard Inc. Printed in Canada.



Egan TeamBoard Inc.
North America
1-800-263-2387
International
+1-905-851-2826

email: support@teamboard.com
www.teamboard.com

TEAMBOARD
CABINET

TMBW / TMBX

ASSEMBLY INSTRUCTIONS

ASSEMBLY INSTRUCTIONS

Picture A

- 1 Locate the bottom of the supplied mounting bracket 72" from the floor.
- 2 Level and mark the bracket position.
- 3 Drill two holes on mounting bracket 6" from either end as illustrated.

Caution:

Ceilings and floors may not always be completely parallel, so adjust bracket level accordingly if necessary.

Picture B

- 4 Mark and drill mounting holes in wall using positioned bracket as guide.
- 5 Place fastener through bracket, attach toggle end and feed through wall.
- 6 Secure the toggle bolts. Pull bracket away from wall while tightening. Other fasteners may differ.

Picture C

- 7 Place Cabinet onto mounting bracket and slide down to lock into position. Connect the RJ-45 cable at the lower right corner of the TeamBoard (inside the pen tray). See the TeamBoard Installation and User Guide for further information.
- 8 If wall is not true, shims are necessary to allow doors to close properly.

Picture D

Note: Additional safety brackets are located in the pen tray to avoid cabinet from being lifted up and off bracket.

- 9 Flip-down bracket and mark hole locations on pen tray backing.
- 10 Flip up bracket and drill for appropriate wall screws.
- 11 Flip hinge down and attach screws.

See the TeamBoard Installation and User Guide and Quick Start Guide for further information.

