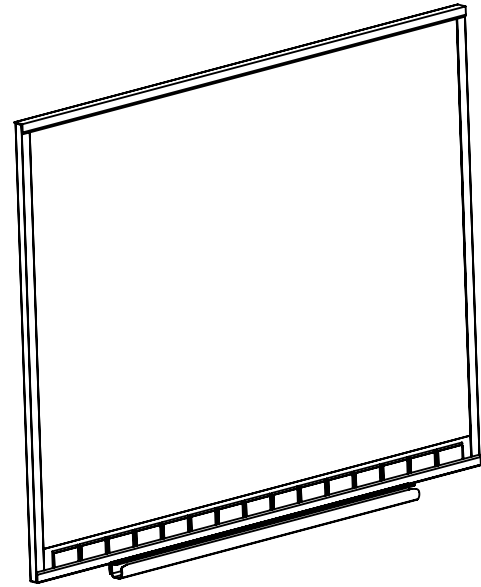


**TeamBoard
Wall Mount & Track Mount
Installation**

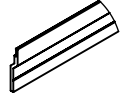
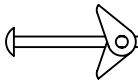
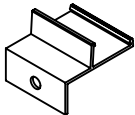
TMWM6250, TMWM5442

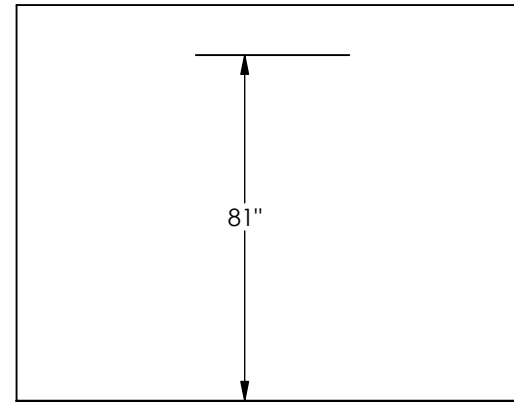


Tools Required

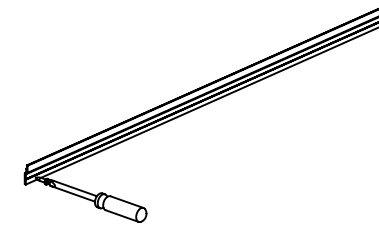
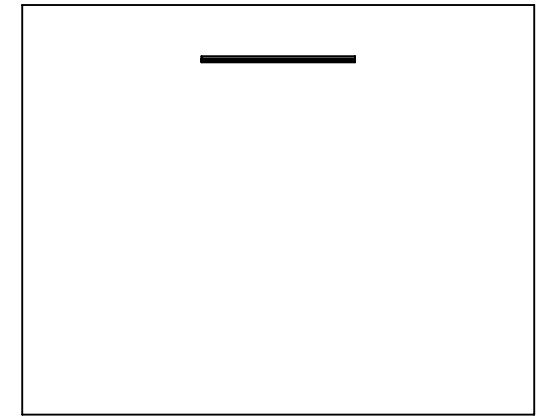
- Phillips screw driver
- 1/2" Speed bore drill bit
- Tape measure
- Electric drill
- Level
- Pencil

Assembly Components

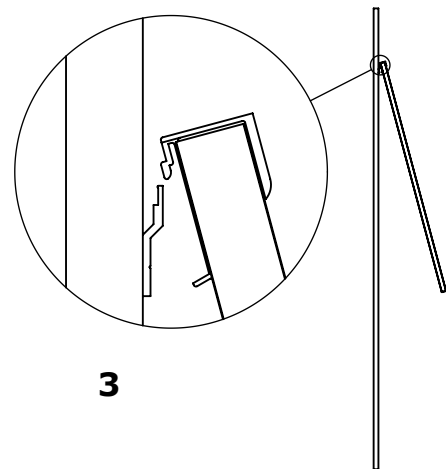
- Aluminum Track 
- 2 Toggle 
- 2 Safety Bracket 



1. Draw a level line the total length of the Aluminum bracket, 2 1/8" below of the desired finished height of the boards.



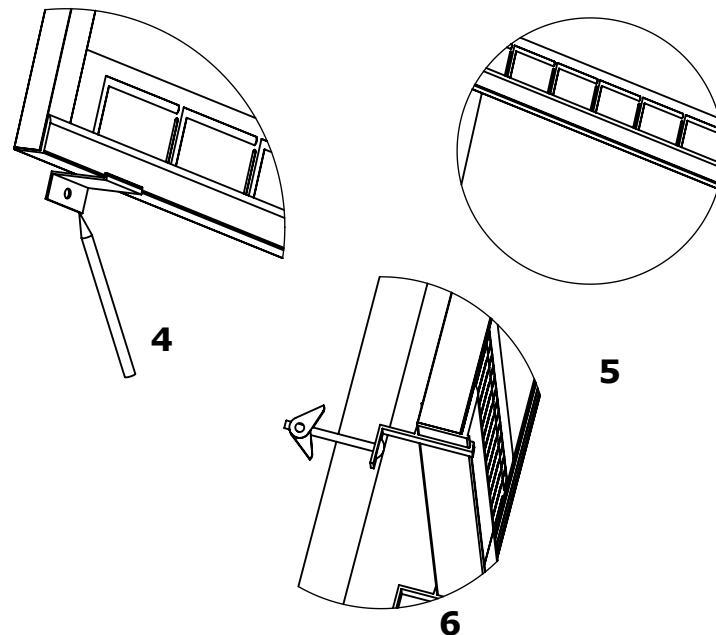
2. Center and fasten bracket to wall using two suitable fasteners per bracket.



3

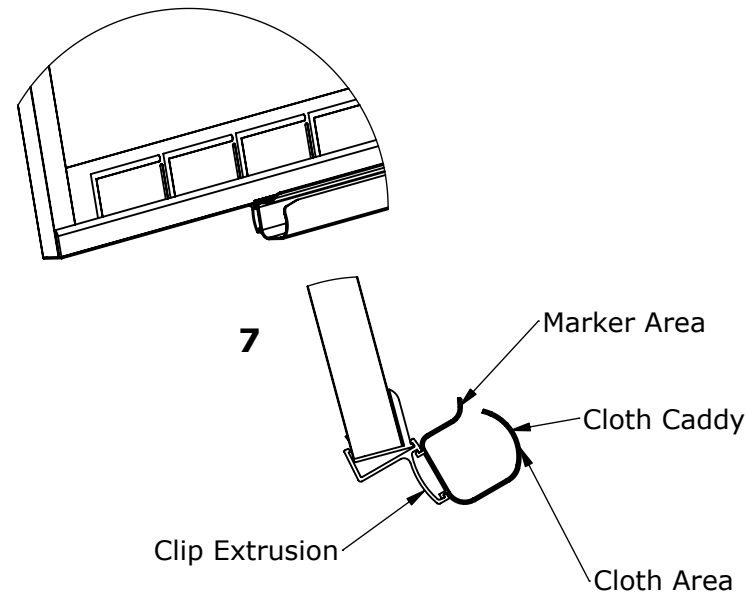
Hanging the board:

3. To hang the board, lift TeamBoard up and over track while angling bottom of TeamBoard base off wall and to the final position hanging on the track vertically.



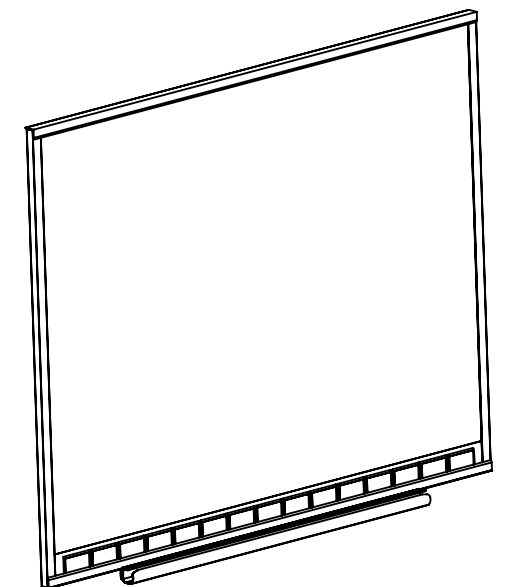
Safety Bracket Installation:

4. Snap brackets onto bottom of TeamBoard, approximately 3" from each edge of TeamBoard. Mark each hole with pencil as shown above. (4)
 5. Drill 1/2" holes in wall at marks and fit toggle bolts through bracket and dry wall. (5)
 6. Ensure toggle is fully open and tighten bolts as you pull board out to keep toggle bolt from spinning. (6)
NOTE: Safety bracket recommended only for Wall Mount only. Should not be installed for Track Mount.



EganCloth Caddy Installation:

7. Attach lip of clip extrusion (with EganCloth Caddy) to front edge of bottom frame, and flip up extrusion to snap into back lip of bottom frame as shown in (7).



Comments
or
Questions?

CONTACT US!
support@teamboard.com
www.teamboard.com

North America
1-800-263-2387
International
1-905-851-2826